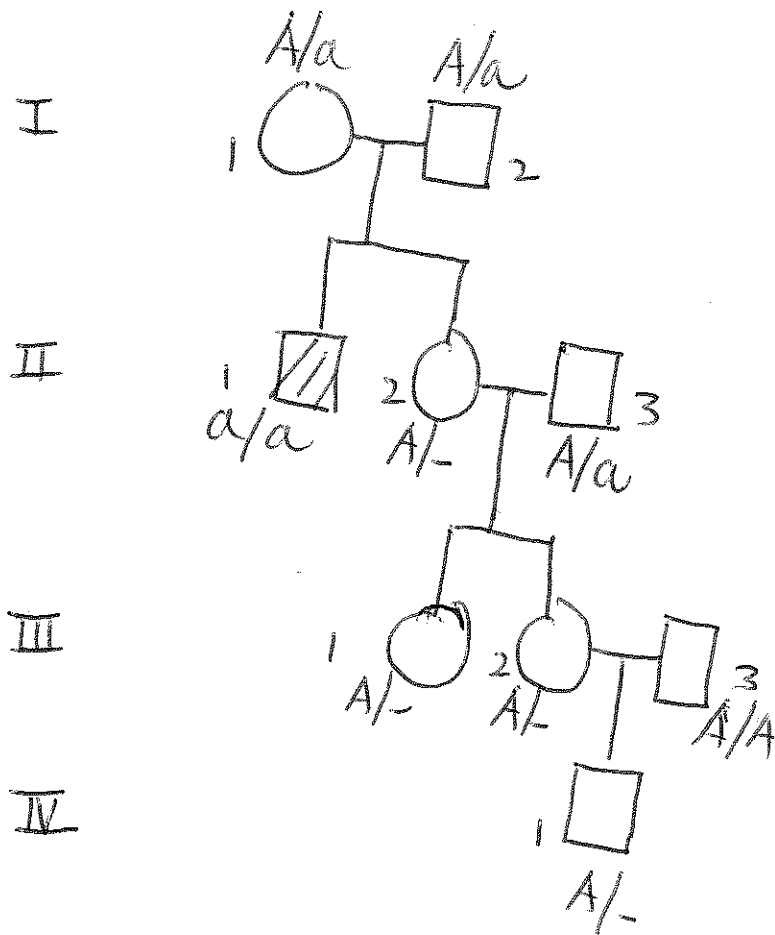


Autosomal Recessive
trait.



$$P(\text{IV} \text{ is } A/A) = ?$$