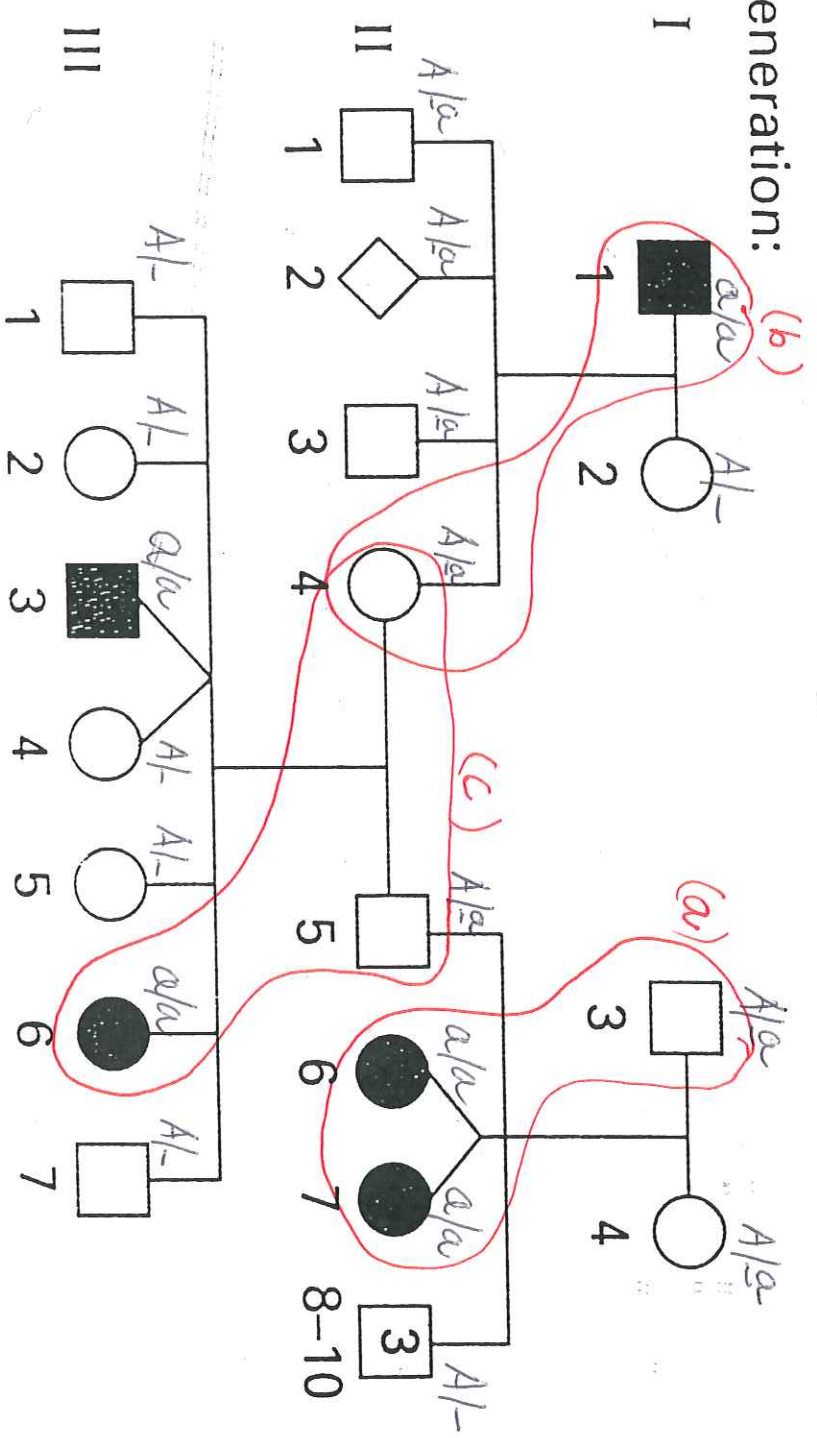
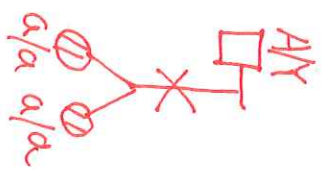


Generation:



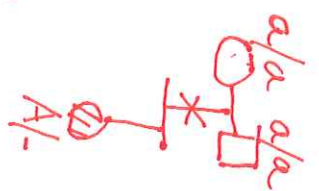
(a) not X-Rec ∴ Normal father (I-3) cannot have affected daughters (II 6 & II 7)



(b) not X-Dom ∴ Affected father (II) cannot have normal daughters (III 4)



(c) not auto-Dom ∴ Two normal parents (II 4 & II 5) cannot have affected children (III 3 & III 6)



Therefore, the most likely inheritance is

autosomal-recessive

Aff Normal a/a A/-